

DESTRUCTION OF BANK NOTES

Disposal solutions for confidential documents



Process security is of the utmost importance in the destruction of confidential documents. Each individual sequence is meticulously recorded, from access authorisation, via the fully-automatic infeed up to and including the output of shredded documents compatible with data protection requirements.

Banknotes

Print waste

Secure documents

Data destruction

Paper

Electronic waste

Foils

Labels

Holograms

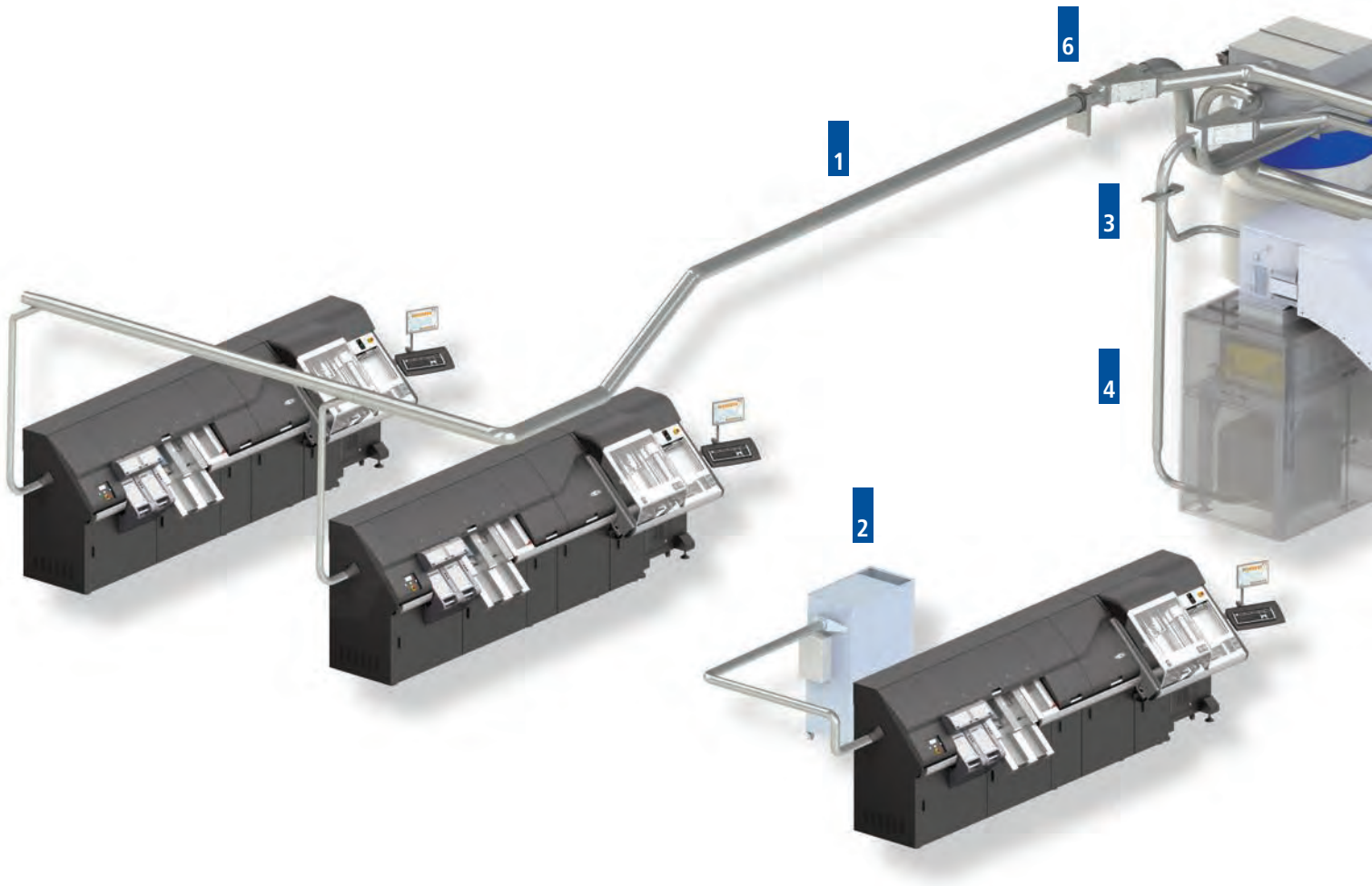
Security and Trust

Outstanding Quality

Our products fulfil the highest requirements for security and reliability. We offer tailor-made system solutions for a wide variety of systems, ranging from 100 kg/h up to 2000 kg/h.

Tailor-made Engineering

Our Software department is an integral part of the Engineering department. The close collaboration with Sales and Project Management teams ensures custom-designed and tailored solutions, which we integrate into the customer's own operating schedules and processes, as well as into the space available.



1 HCSS | Hunkeler Currency Suction System

Guarantees safe, online invalidation of banknotes. The notes are collected at the sorting machine and are transported directly to the briquetting press.

2 Compact Suction and Bagging system HKU 1250

The construction of the HKU 1250 is very compact, powerful, designed for the exhaust of bank note shreds and dust. It works with negative pressure and has an integrated bagging system.

3 Shredder

This machine is especially suitable for continuous operation around the clock thanks to its robust construction as well as the strong and hard-wearing knives. This machine is extremely versatile and applications range from paper, carton and cardboard, synthetics and on up to metals.

4 Granulator

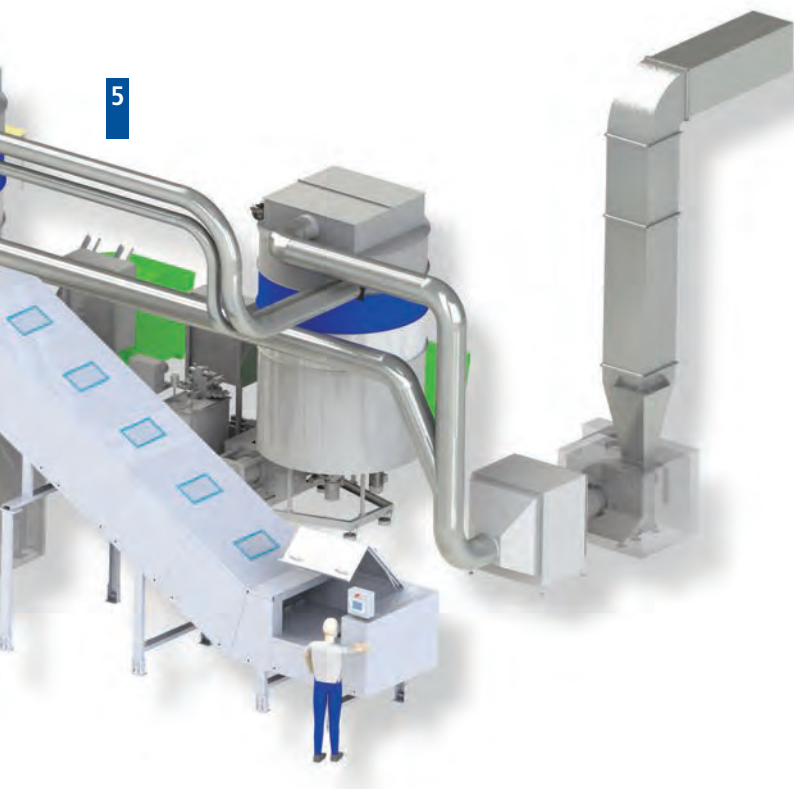
The high-performance granulator is used in the post-shredding/granulation sector for paper, banknotes and carrier foils in the high-security data protection field. Technological features such as the rotating of the cutting inserts or the device's longevity are strong indicators of the high quality of this granulator.

Guaranteed Security

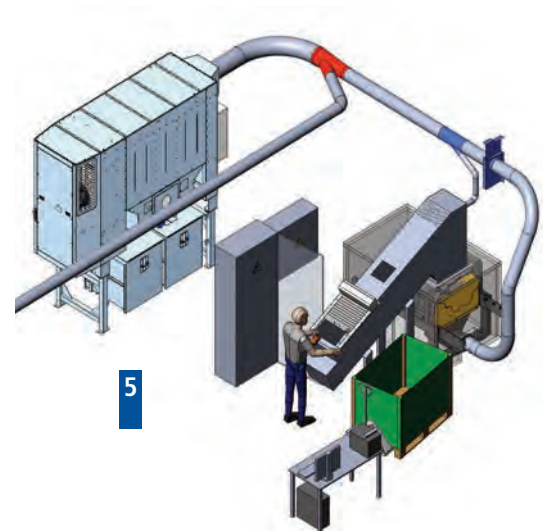
In the destruction of high security documentation, reliability and process security are of great importance. The process is monitored meticulously; from authorised access via PIN-Code, to the fully-automatic infeed with robot technology up to and including the ejection of the shredded documents in the form of pressed briquettes.

More environmental protection at less cost

The Green-Line-Concept economises on energy and brings about a noticeable drop in running costs. The intelligent control system optimises the performance of the system and reduces maintenance.



Control software and cockpit



HCDS Compact System

5 HCDS | Hunkeler Currency Destruction System

The Hunkeler Currency Destruction System ensures the reliable destruction within the offline- or inline configuration.

6 Green-Line-Concept

The Green-Line-Concept from Hunkeler Systeme AG saves on costs and respects the environment. The energy consumption of suction systems is significantly lowered, the waste heat supplies sufficient energy to heat the production rooms. Both existing and newly commissioned suction systems benefit greatly from the Green-Line-Concept.

7 Workflow and Control Manger

When high security documents are destroyed correctly, reliability and process security is of enormous importance. Careful logging records the process: from access authorization via PIN-Code, through the fully-automatic infeed with robot technology on to the ejection of the shredded material in the form of compact briquettes.



Feeding | HCB Compact Buffer

Hunkeler offers a multitude of operational possibilities, such as manual loading on conveyor belts or options such as the HCB Compact Buffer for sealed bank note packages.



Shredding | Security level P4

Packs of paper or complete bundles of banknotes are pre-shredded into small pieces by efficient shredder devices. The long-life cutters are the basis for an optimised maintenance.



Granulation | Security level P5 and P6

The granulator turns the pre-shredded material into even smaller particles, to ensure they conform to security requirements. Material sizes smaller than 6x6mm can so be easily achieved.



Filtering | Dedusting

The filter cleans the dust-laden transport air, which can then be returned to the production room with a purity of 1mg/m³ in the production room. The dust is then brought by a spiral conveyor to the briquetting press which processes the dust and scraps to briquettes.



Briquetting | Big-bags

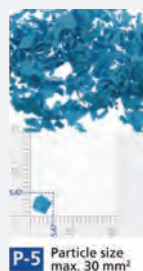
The chamber briquetting press compacts the shredded particles to briquettes which have a density of up to 0.9 – 1.15 kg/dm³. The finished briquettes are automatically ejected. Polymer banknotes are filled into big-bags or containers.



P-3 Particle size max. 320 mm²



P-4 Particle size max. 160 mm²



P-5 Particle size max. 30 mm²



P-6 Particle size max. 10 mm²

Shred sizes P3 – P6

The Hunkeler System destruction machines are working according to DIN-66399 regulation. The higher the security level from 1 to 7, the smaller the particles of the destroyed material.



Banknotes | Polymer Banknotes | Hybrids

Banknotes made of paper, polymer or a combination of both materials can be securely processed by Hunkeler machines.



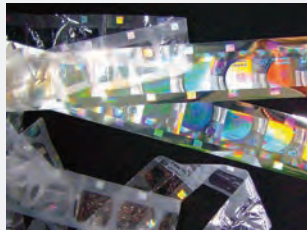
Roll Splitter

The system shreds the substrate rolls in an automatically controlled process in 20 to 60 centimeter stacks; this value can be set as required.



Compactor for particles

The press containers serve as a collection point before pressing, compacting and transporting the material to the recycling place. The containers are movable, can be taken away easily and saving a lot of storage space.



Foils | Labels | Holograms

Different kinds of foils and labels as well as holograms and credit cards can be securely destroyed by Hunkeler disposal system devices.



Electronic Data Destruction | E-Waste

Shredders are the safest solution when it comes to the destruction of confidential and personal data. They can turn computers, hard disks, mobile phones, credit cards, CDs, DVDs, diskettes and USB sticks into strips or small particles.



Banknote Invalidation

Decentralised invalidation of banknotes with the Hunkeler Banknote Puncher. A variety of punch patterns are available for this semi-automatic compact device.

Hunkeler Systeme AG
Industriestrasse 2
4806 Wikon, Switzerland
Tel. +41 62 745 77 77
info@hunkelersysteme.com
www.hunkelersysteme.com

Hunkeler
SYSTEME

CONSULTING & SERVICE

Your professional partner



Presses
Shredding
Suction Systems
Sorting
Compacting
Weighing